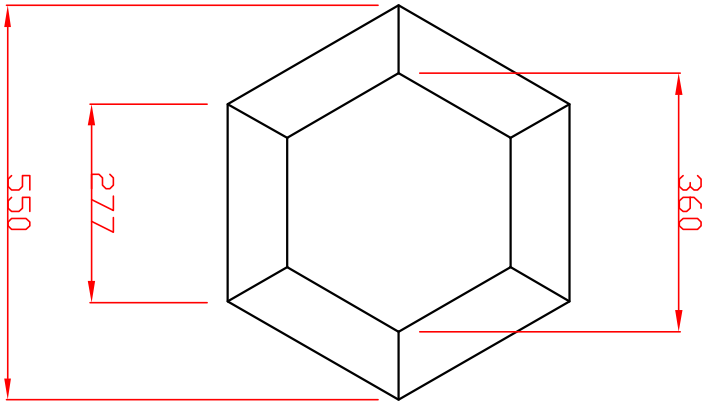


↖ A
 ↗ A



A - A

